

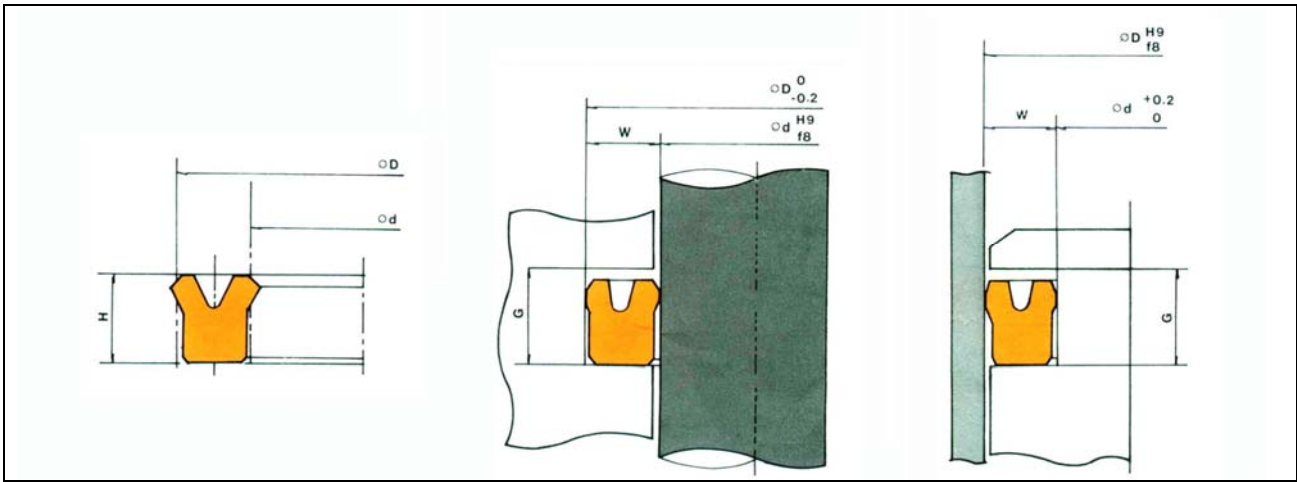
Urethane U Packing Small Section

Rod Application

Code No.	d	D	h
UHR - 18	18	26	5.2
UHR - 22.4	22.4	30	5.2
UHR - 28	28	35.5	5.2
UHR - 35.5	35.5	45	6.5
UHR - 45	45	56	7.5
UHR - 50	50	60	6.5
UHR - 56	56	66	6.5
UHR - 63	63	73	6.5
UHR - 67	67	77	6.5
UHR - 71	71	80	6.5
UHR - 80	80	90	6.5
UHR - 85	85	100	9.5
UHR - 90	90	105	9.5
UHR - 100	100	115	9.5
UHR - 112	112	125	9
UHR - 125	125	140	9.5
UHR - 140	140	155	9.5
UHR - 160	160	175	9.5
UHR - 165	165	180	9.5
UHR - 180	180	200	12.5
UHR - 200	200	220	12.5

Piston Application

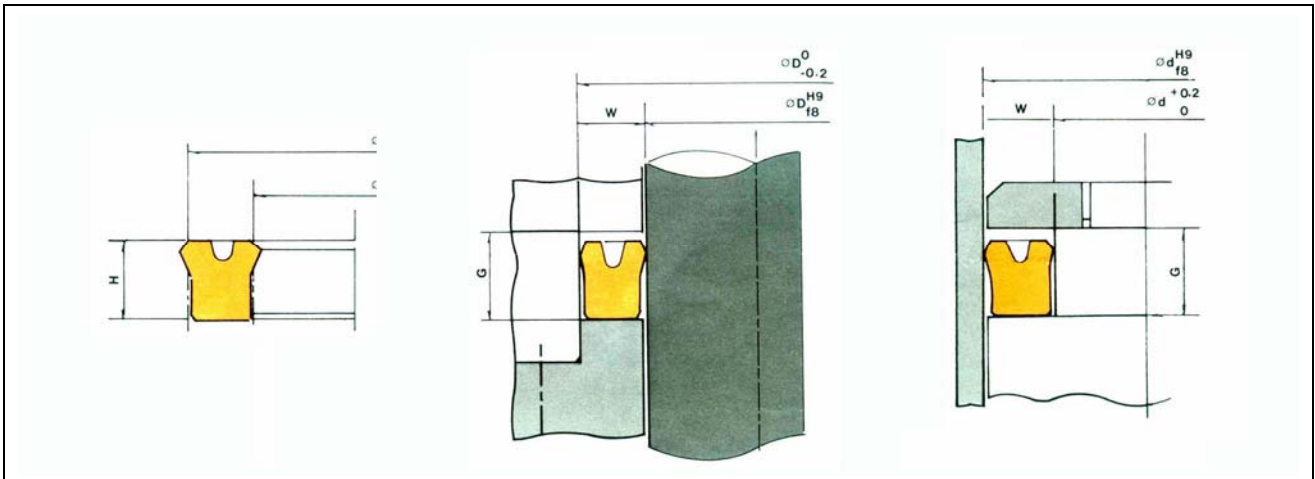
Code No.	d	D	h
UHP - 40	40	30	6.5
UHP - 50	50	40	6.5
UHP - 63	63	53	6.5
UHP - 80	80	71	6.5
UHP - 90	90	80	6.5
UHP - 100	100	85	9.5
UHP - 125	125	112	9
UHP - 140	140	125	9.5
UHP - 150	150	136	9
UHP - 160	160	145	9.5
UHP - 180	180	165	9.5
UHP - 200	200	180	12.5
UHP - 220	220	200	12.5
UHP - 224	224	204	12.5
UHP - 250	250	230	12.5



Both Rod and Piston Application

Code No.	d	D	h
UHS - 11.2	11.2	19.2	5
UHS - 14	14	22	5
UHS - 16	16	24	5
UHS - 18	18	26	5
UHS - 20	20	28	5
UHS - 22.4	22.4	30	5
UHS - 23.5	23.5	31.5	5
UHS - 25	25	33	5
UHS - 28	28	35.5	5
UHS - 30	30	40	6
UHS - 31.5	31.5	41.5	6
UHS - 35	35	45	6
UHS - 35.5	35.5	45	6
UHS - 38	38	48	6
UHS - 40	40	50	6
UHS - 45A	45	55	6
UHS - 45	45	56	7
UHS - 50	50	60	6
UHS - 53	53	63	6
UHS - 55	55	65	6
UHS - 56	56	66	6

Code No.	d	D	h
UHS - 58	58	68	6
UHS - 60A	60	70	6
UHS - 60	60	71	7
UHS - 63	63	73	6
UHS - 65	65	75	6
UHS - 67	67	77	6
UHS - 70	70	80	6
UHS - 71	71	80	6
UHS - 75	75	85	6
UHS - 80	80	90	6
UHS - 85	85	100	9
UHS - 90	90	105	9
UHS - 95	95	110	9
UHS - 98	98	112	9
UHS - 100	100	115	9
UHS - 112	112	125	9
UHS - 125	125	140	9
UHS - 136	136	150	9
UHS - 140	140	155	9
UHS - 145	145	160	9

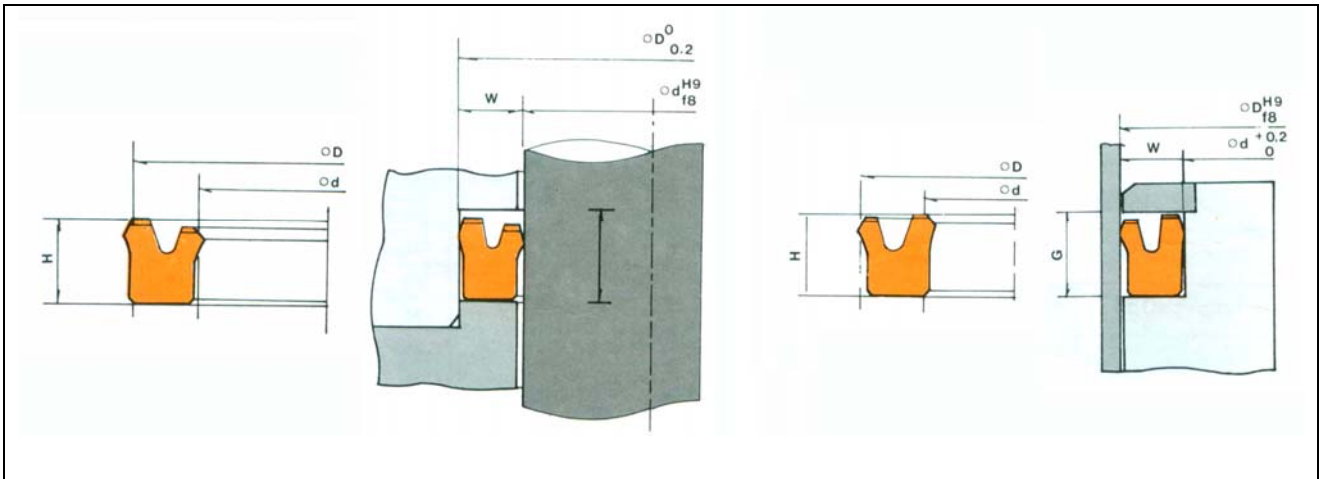


Urethane U Packing Small Section

Both Rod and Piston Application

Code No.	d	D	h
UNS - 6.3	6.3	16.3	8
UNS - 7.1	7.1	17.1	8
UNS - 8	8	18	8
UNS - 9	9	19	8
UNS - 10	10	20	8
UNS - 11.2	11.2	21.2	8
UNS - 12.5	12.5	22.5	8
UNS - 14	14	24	8
UNS - 15	15	25	8
UNS - 16	16	26	8
UNS - 18	18	28	8
UNS - 20	20	30	8
UNS - 22.4	22.4	32.4	8
UNS - 25	25	35	8
UNS - 28	28	43	10.2
UNS - 30	30	45	10.2
UNS - 31.5	31.5	46.5	10.2
UNS - 35	35	50	10.2
UNS - 35.5	35.5	50.5	10.2
UNS - 40	40	55	10.2
UNS - 45	45	60	10.2
UNS - 48	48	63	10.2
UNS - 50	50	65	10.2
UNS - 53	53	73	12

Code No.	d	D	h
UNS - 55	55	75	12
UNS - 56	56	76	12
UNS - 60	60	80	12
UNS - 63	63	83	12
UNS - 65	65	85	12
UNS - 67	67	87	12
UNS - 70	70	90	12
UNS - 71	71	91	12
UNS - 75	75	95	12
UNS - 80	80	100	12
UNS - 85	85	105	12
UNS - 90	90	110	12
UNS - 95	95	115	12
UNS - 100	100	120	12
UNS - 105	105	125	16
UNS - 106	106	126	16
UNS - 110	110	130	16
UNS - 112	112	132	16
UNS - 118	118	138	16
UNS - 120	120	140	16
UNS - 125	125	145	16
UNS - 130	130	150	16
UNS - 140	140	160	16
UNS - 150	150	170	16

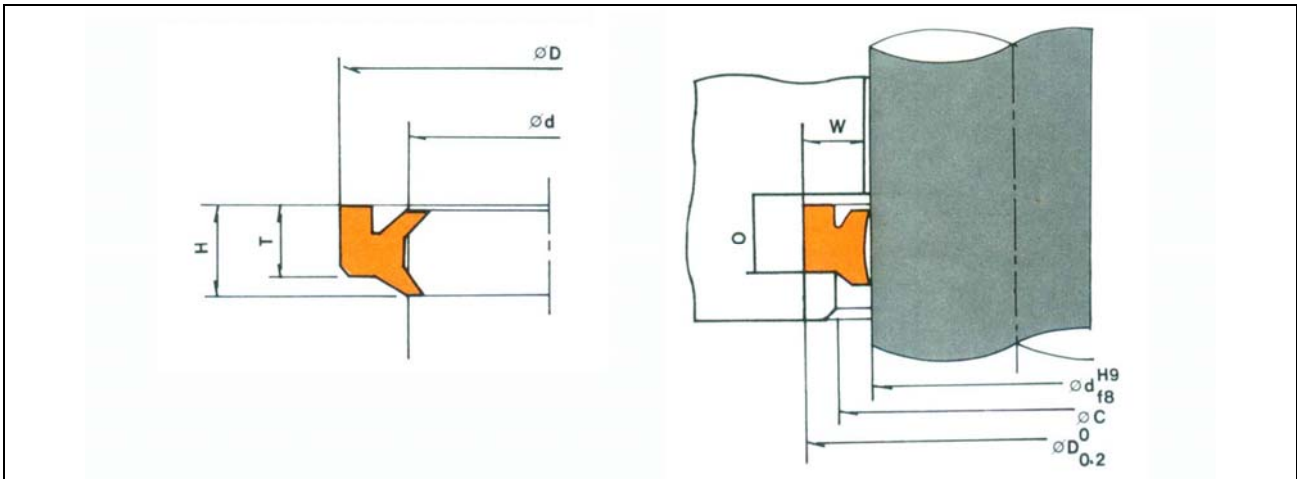


Rod Application

Code No.	d	D	h
UNR - 160	160	185	16
UNR - 170	170	195	16
UNR - 180	180	205	16
UNR - 190	190	215	16
UNR - 200	200	225	16
UNR - 212	212	237	19
UNR - 224	224	249	19
UNR - 230	230	255	19
UNR - 236	236	261	19
UNR - 250	250	275	19
UNR - 265	265	295	19
UNR - 270	270	300	19
UNR - 280	280	310	19

Piston Application

Code No.	d	D	h
UNP - 180	180	155	16
UNP - 190	190	165	16
UNP - 200	200	175	16
UNP - 205	205	180	16
UNP - 215	215	190	16
UNP - 224	224	199	16
UNP - 237	237	212	19
UNP - 250	250	225	19
UNP - 261	261	236	19
UNP - 275	275	250	19
UNP - 280	280	255	19
UNP - 295	295	265	19
UNP - 300	300	270	19
UNP - 310	310	280	19
UNP - 330	330	300	19



Urethane Dust Seal Small Section

Both Rod and Piston Application

Code No.	d	D	h	t
DHS - 11.2	11.2	19.2	6	4.5
DHS - 14	14	22	6	4.5
DHS - 16	16	24	6	4.5
DHS - 18	18	26	6	4.5
DHS - 20	20	28	6	4.5
DHS - 22.4	22.4	30.4	6	4.5
DHS - 23.5	23.5	31.5	6	4.5
DHS - 25	25	33	6	4.5
DHS - 28	28	36	6	4.5
DHS - 30	30	38	6.5	5
DHS - 31.5	31.5	39.5	6.5	5
DHS - 35	35	43	6.5	5
DHS - 35.5	35.5	43.5	6.5	5
DHS - 40	40	48	6.5	5
DHS - 45	45	53	6.5	5
DHS - 50	50	58	6.5	5
DHS - 53	53	61	6.5	5
DHS - 55	55	63	6.5	5
DHS - 56	56	64	6.5	5
DHS - 60	60	68	6.5	5
DHS - 63	63	71	6.5	5

Code No.	d	D	h	t
DHS - 65	65	73	6.5	5
DHS - 67	67	75	6.5	5
DHS - 70	70	80	8	6
DHS - 71	71	81	8	6
DHS - 75	75	85	8	6
DHS - 80	80	90	8	6
DHS - 85	85	95	8	6
DHS - 90	90	100	8	6
DHS - 98	98	108	8	6
DHS - 100	100	110	8	6
DHS - 112	112	122	8	6
DHS - 125	125	138	9.5	7
DHS - 136	136	149	9.5	7
DHS - 140	140	153	9.5	7
DHS - 145	145	158	9.5	7
DHS - 160	160	174	9.5	7
DHS - 165	165	179	9.5	7
DHS - 180	180	194	9.5	7
DHS - 200	200	214	9.5	7
DHS - 204	204	218	9.5	7
DHS - 230	230	244	9.5	7